

RECYCLED PAPER BEADS

In Victorian times, women in England gathered in dining rooms to make beads by rolling scraps of wallpaper on knitting needles. They would then string the beads on long pieces of yard to create curtains that separated rooms. You can make these beads from recycled scrap paper and string them together to make jewelry.

Required Materials

- ♻️ scraps of wallpaper, magazine pictures, used wrapping paper, colored paper, etc.



- ♻️ pencil, ruler & scissors



- ♻️ glue



- ♻️ drinking straws



- ♻️ thread or yarn

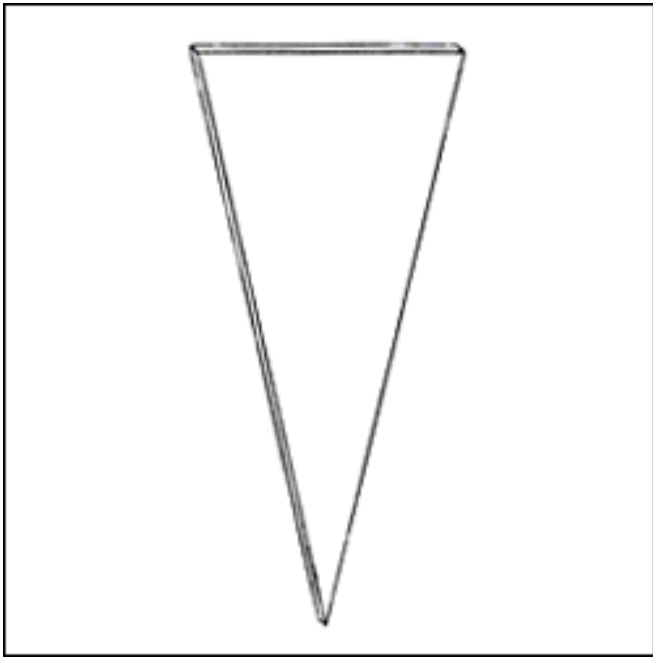


OR

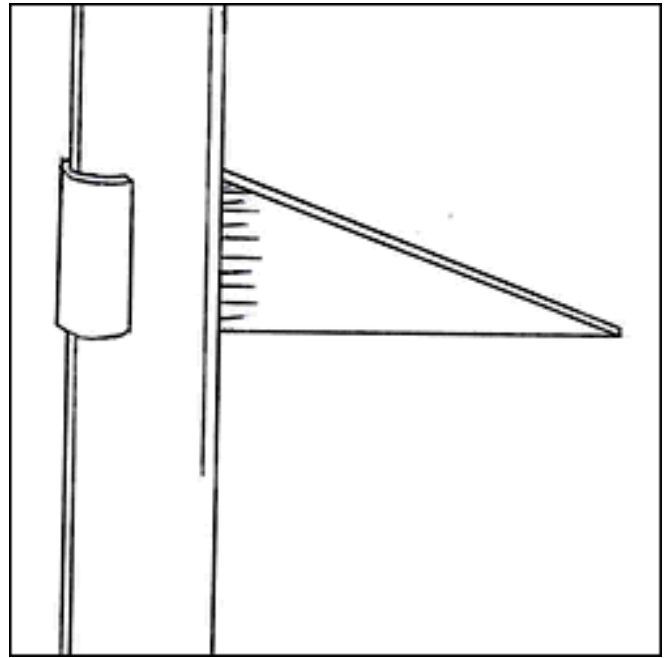


Step-By-Step Procedures

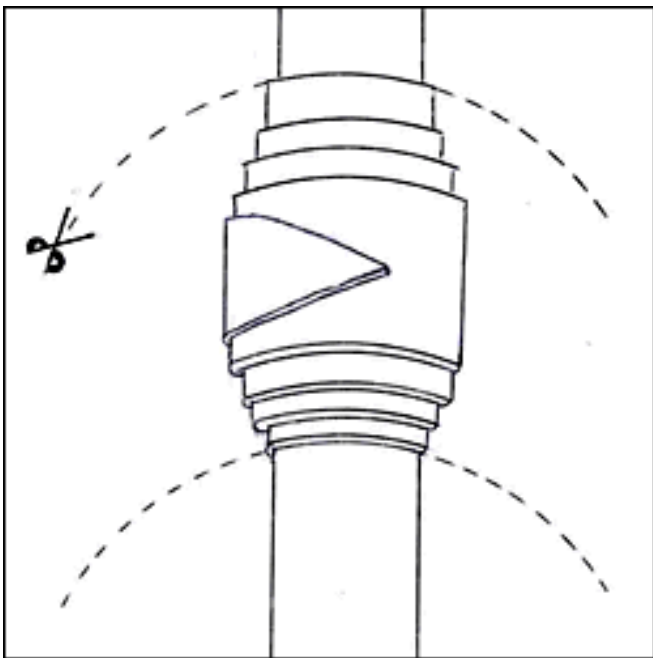
1. Using your scissors and paper scraps, cut long triangles that are about $\frac{1}{2}$ inch wide and 2 $\frac{1}{2}$ inches long. Make a template to trace if you wish. (See Step 1 on next page)
2. Cover one side of the triangle with glue. Put the glue on the inside of the paper so that the colorful pattern will be on the outside of your bead.
3. Place the triangle's glued short side on a drinking straw. (See Step 3 on next page)
4. Wrap the paper completely around itself on the straw.
5. Cut away the straw at both ends of the rolled paper. (See Step 5 on next page)
6. To make beads with different shapes, vary the size and shape of the paper triangles that you cut. (See Step 6 on next page)
7. Let your beads dry and then string them together on your thread or yard. Knot the ends of the thread together.



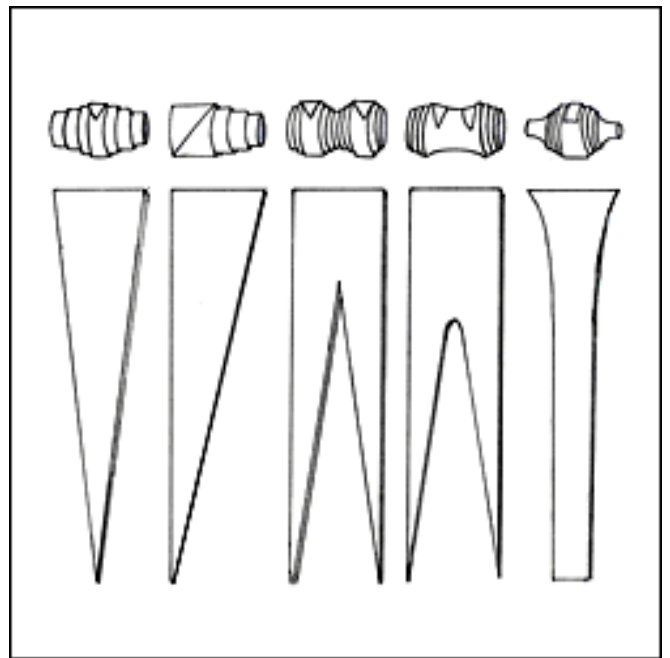
STEP 1



STEP 3



STEP 5



STEP 6